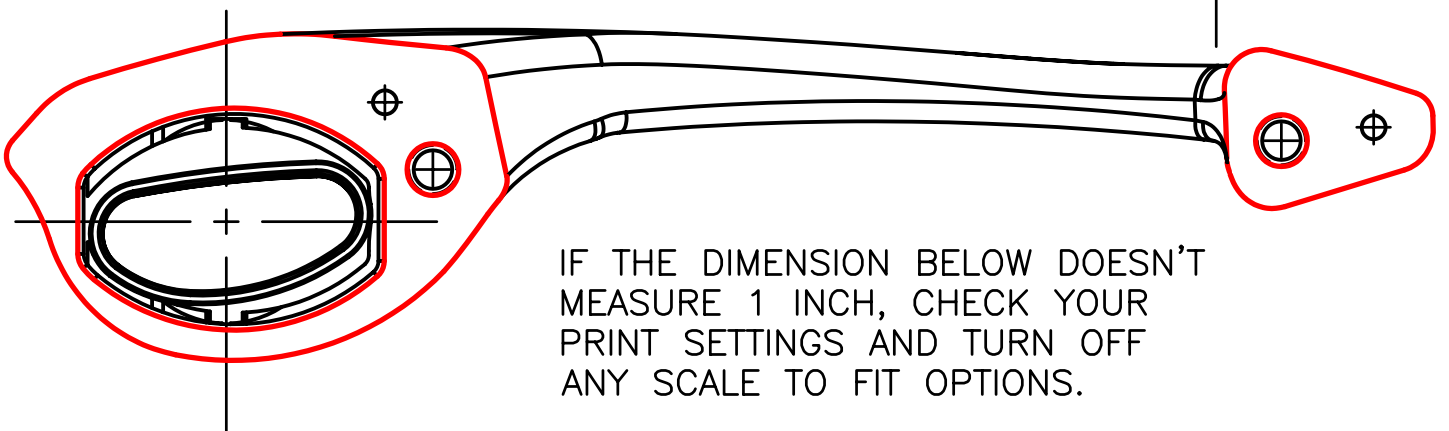
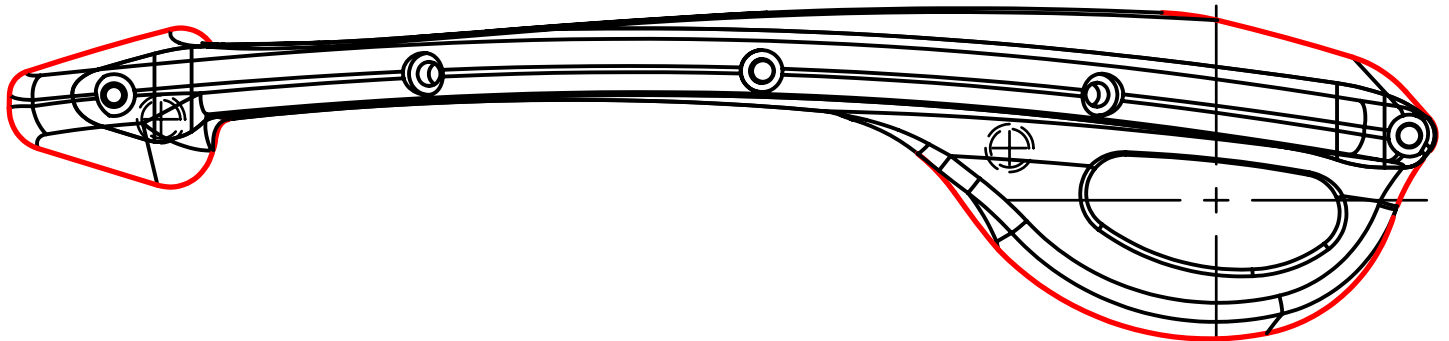
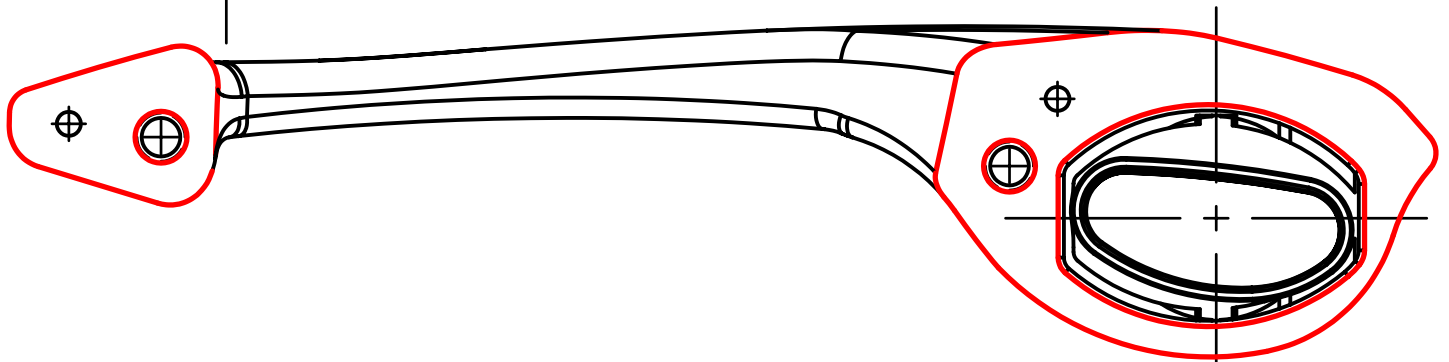
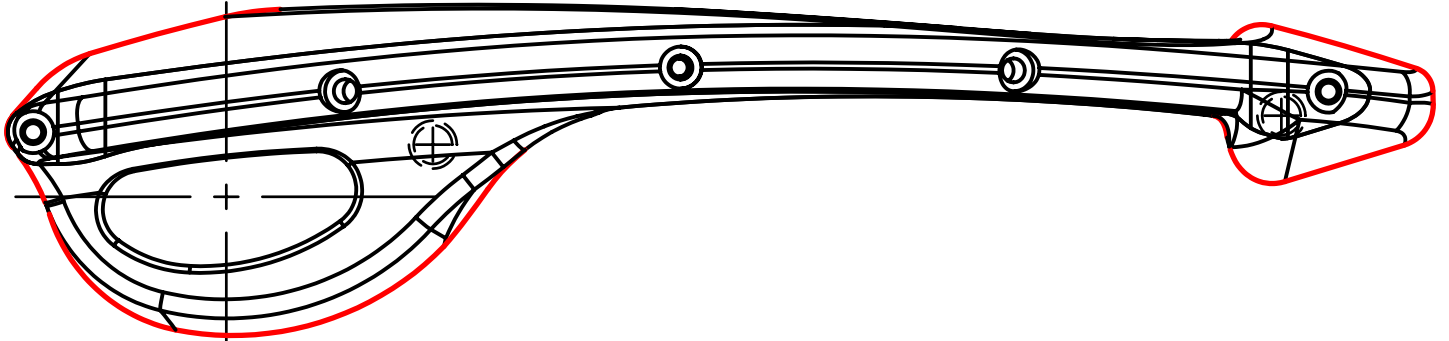




RINGBROTHERS

GM HANDLE TEMPLATES. ACCURATE FOR
RINGBROTHERS PART NUMBERS:
92000-2011PP, 92000-2011PM,
92000-2011BB, 92000-2011GG,
92000-2012C, 92000-2012B
(GASKETS SHOWN IN RED)



IF THE DIMENSION BELOW DOESN'T
MEASURE 1 INCH, CHECK YOUR
PRINT SETTINGS AND TURN OFF
ANY SCALE TO FIT OPTIONS.

→ 1.000 ←